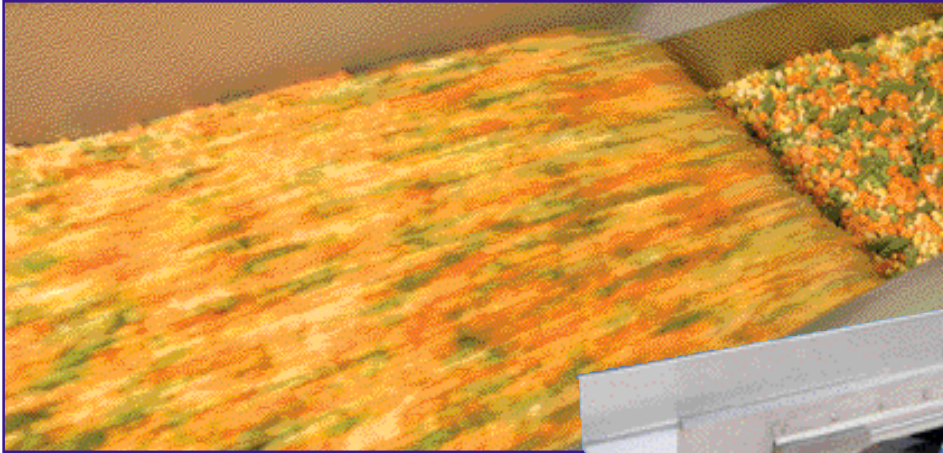


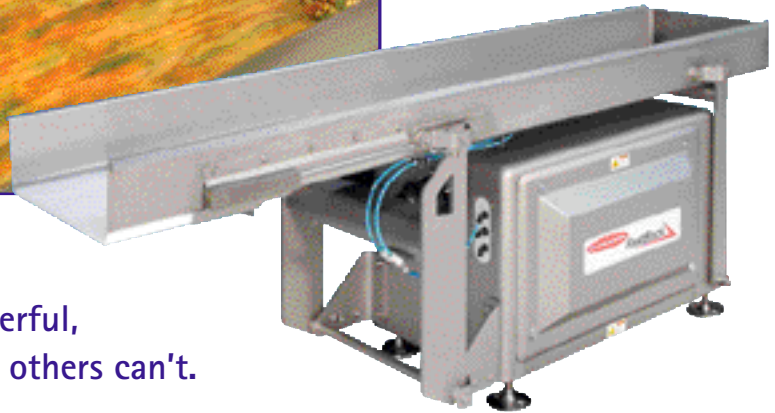
HEAT AND CONTROL

®

FastBack® 260E™ Horizontal Motion Conveyor



260E conveys heavier loads at faster transfer rates than any comparable conveyor.



Introducing a totally new FastBack!

Faster, simpler, smoother & more powerful, 260E conveys heavy loads & products others can't.

World's most simple drive

Patented modular belt drive has few moving parts and requires no periodic maintenance. Quickly replace drive and motor units without removing the pan or top cover.

Powerful conveying

Move over 60,000 lbs/hr (28 tons/hr) without bogging down. High drive accelerations deliver the benefits of horizontal motion conveying for products that previously could only be handled by vibratory conveyors.

Fastest travel rate

2X faster than other horizontal motion conveyors, 260E conveys products at up to 40 ft/min (12m/min).

Eliminate product breakage

Gentle slow-forward fast-back motion safely conveys even the most delicate products with less breakage and coating loss than vibratory conveyors.

Quiet operation

Low 70 dB operation with product complies with stringent government regulations.

Maintain pre-mixed blends

Size separation is eliminated because product moves by sliding instead of bouncing.

Easy cleaning

Coatings remain on products and do not build up in the conveyor pan. There are no hard-to-clean areas on the drive base.

Simple installation

Pre-wired and plumbed, all electrical and pneumatic controls are mounted in the conveyor base for easy ready-to-run installation.

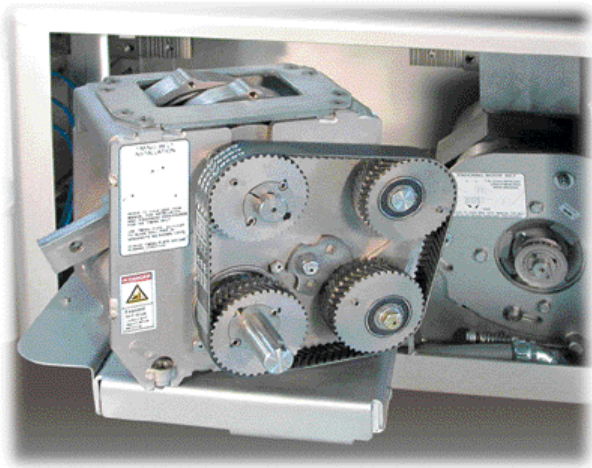


One drive fits all!

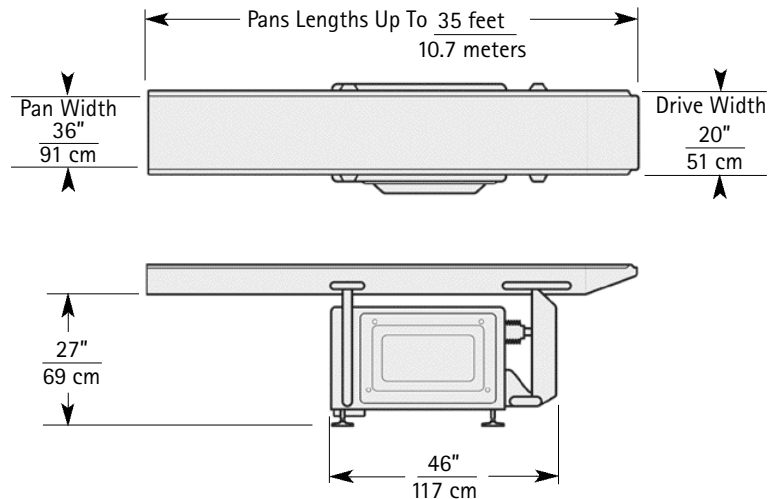
Reduce spares. Use one drive base with different pan sizes to reduce costs of conveyor layout changes.

FastBack® Horizontal Motion Conveyor | Model 260E

Single side drive access allows closer conveyor spacing & convenient service of drive modules.



Quickly & easily remove the modular transmission and drive without removing the pan or top cover.



Optional features

- Full wash down drive
- Revolution™ proportional discharge gate
- Special end and mid gates
- Custom pan configurations
- Fines removal screen sections
- Rapid Deployment™ modular platforms

Dimensions are rounded to the nearest inch/foot & centimeter/meter. Constant improvement and engineering innovations mean these specifications may change without notice.

Protected by patents granted and pending.

HEAT AND CONTROL



FastBack®

Headquarters
21121 Cabot Blvd., Hayward, CA 94545 USA
Tel 1 800 227 5980 / 1 510 259 0500 Fax 1 510 259 0600

Guadalajara, Mexico
Tel 52 33 3689 1146 Fax 52 33 3689 2240

Livingston, Scotland
Tel +44 (0)1506 420420 Fax +44 (0)1506 403919

Schwaz-Vomperbach, Austria
Tel +43 5242 66751 Fax +43 5242 66752

Brisbane, Australia
Tel +61 (0)7 3877 6333 Fax +61 (0)7 3343 8371

Singapore
Tel +65 6273 6362 Fax +65 6273 8161

Over 30 Offices Worldwide www.heatandcontrol.com • info@heatandcontrol.com • ©2004 Heat and Control, Inc.